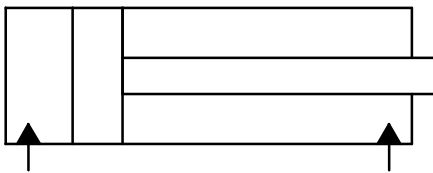


APPLICATION

Single piston rod double acting cylinder transfers accumulated in a working liquid pressure energy into mechanical energy which puts the piston in reciprocating motion.

When pressure affects the piston area, the piston travels downwards. When pressure affects the piston rod area, the piston returns.

DIAGRAM

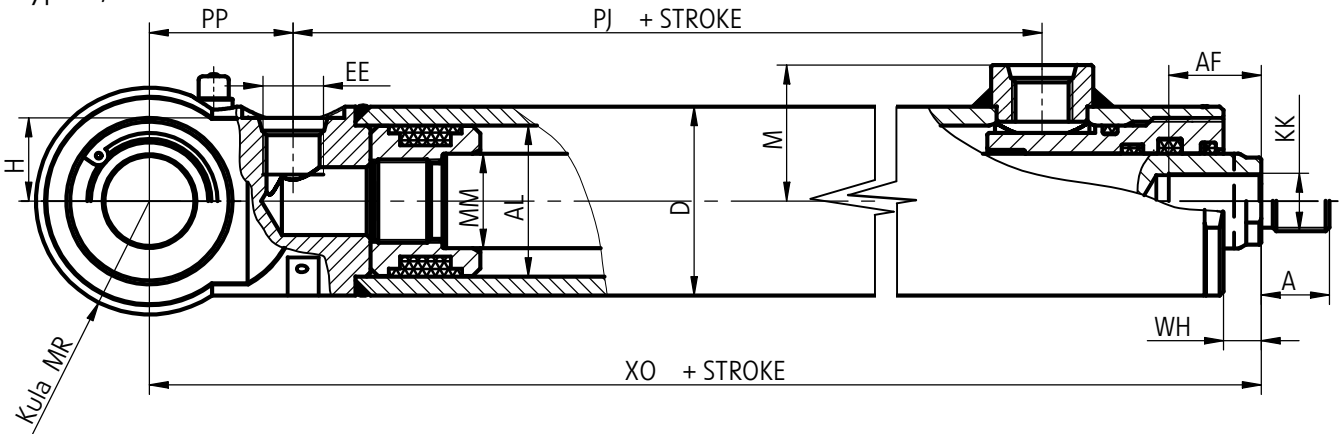


TECHNICAL DATA

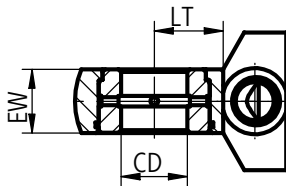
Working fluid	hydraulic fluid (viscosity 10 - 450 mm ² /s)
Nominal pressure	20 MPa
Required fluid filtration	16µm
Operating temperature	-30 do 80°C
Max. rod speed	0,5 m/s
Efficiency	> 0,9
Piston rod coating	chrome

OVERALL DIMENSIONS

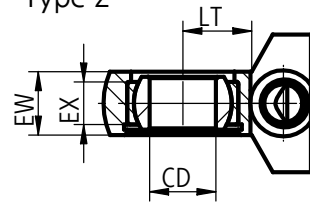
Type 1, 2



Type 1



Type 2



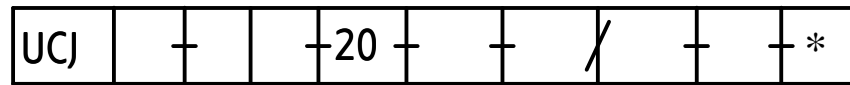
Metric port - PN/M-73101

Inch port - DIN 3852

AL	25	32	40	50	63	80	100	125	140	160	
MM	18	22	22	28	36	45	56	70	80	90	
A	14	16	18	20	22	30	36	45	50	56	
AF	16	22	22	30	36	45	50	63	75	85	
CD	16	20	25	30	35	40	50	60	70	80	
D	35	42	50	65	76	95	120	150	170	195	
EE	M	M14x1,5	M14x1,5	M16x1,5	M16x1,5	M22x1,5	M27x2	M33x2	M33x2	M33x2	M33x2
	G	G 1/4"	G 1/4"	G 1/2"	G 1/2"	G 1/2"	G 3/4"	G 1"	G 1"	G 1"	G 1"
EW	14	20	24	26	31	32	40	55	60	65	
EX	14	16	20	22	25	28	35	44	49	55	
H	15	18	28	32	40	50	55	69	80	93	
M	31	35	36	42	51	62	75	89	100	112	
KK	M12x1,5	M16x1,5	M16x1,5	M22x1,5	M27x2	M33x2	M42x2	M48x2	M56x2	M64x2	
LT	17	22	26	28	36	45	56	70	80	90	
MR	22	25	30	36	40	50	60	73	84	97	
PP	26	33	38	41	53	65	80	90	110	122	
PJ	56	61	64	73	85	105	124	138	155	154	
WH	12	12	10	15	15	18	20	23	26	36	
XO	128	149	160	176	212	255	300	338	391	411	

EE M for metric port
EE G for inch port

HOW TO ORDER



Piston hydraulic cylinder

Mounting:
 swivel bearing = 1
 spherical bearing = 2

Ports:
 metric thread = M
 inch thread = G

Piston rod end:
 external thread = Z
 internal thread = W

Nominal pressure MPa

Series number
 X5 =X5 (X5-X9)
 installation and connection dimension unchanged

Piston diameter
 against a table

Piston rod diameter
 against a table

Piston stroke

Futher requirements to be added in text (to agree with manufacturer)

-XXXX

Coding example:
 UCJ1-MZ-20-X5-80/45-250

For special requirements please contact the manufacturer.

PONAR Wadowice S.A.
ul. Wojska Polskiego 29
34-100 Wadowice
tel. +48 33 488 21 00
fax. +48 33 488 21 03
www.ponar-wadowice.pl

